

Before Installation

⚠ WARNING

Turn off HH 822-F, all electronic source and electrical devices which will be connected before installation and maintenance.

⚠ CAUTION

The installer must be a trained service personnel.

Installation Location

The thermostat should be mounted on an inner wall ~1.5m above the floor in a position where it is readily affected by changes of the general room temperature with freely circulating air.

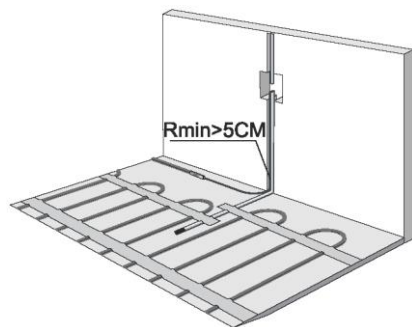
Prevent direct exposure to sunlight, drip or splash.

Do not place the unit at a location where air circulation is low, or where there are great temperature changes (e.g. near door).

Do not place the thermostat near heat generating sources (e.g. radiators, hot air vents, TV or lights).

Sensor Installation

- Use the corrugated pipe (>16mm), place the sensor cable inside the pipe. Bending radius of pipe must be not less than 5cm.
- Plug one end of corrugated pipe via waterproof cork to prevent the water or cement grout penetration, place the corrugated pipe with sensor between the nearest coils of heating cable. It is better to place the end of corrugated pipe with the sensor inside and close to the upper floor layer.
- Place the second end of corrugated pipe near with the connection box for thermostat.

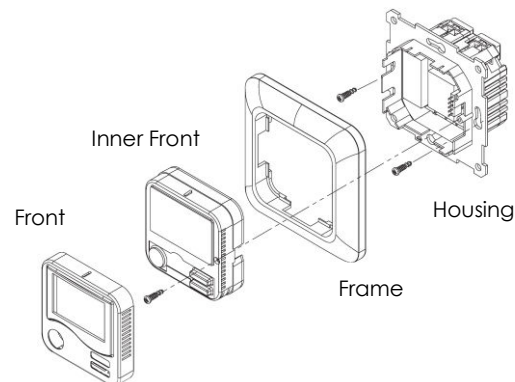
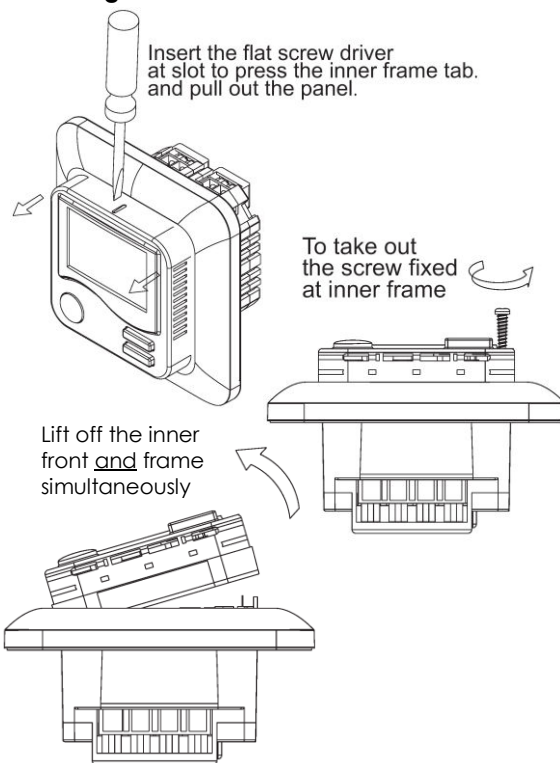


Wiring the Terminal

There are 6 wiring terminals at the back of the thermostat which are labeled below. The recommended wire range is AWG 12~14.

Symbols	Description
N	230Vac Neutral output
N	230Vac Neutral input
L	230Vac Live input
OUT	230Vac Live output
SENSOR	Sensor Cable
SENSOR	Sensor Cable

Mounting






Basic Key and Operation

When the unit is powered on, full screen are on and the unit goes to Normal Display Mode.





Hold the icon  button (above Figure) for 3 second – to turn on or off the thermostat.


The following icons meaning:

-  - floor temperature
-  - heating ON or OFF status
-  - setting temperature

Normal Display Mode

Temperature measurement starts. Floor temperature will be displayed.

- Hold the icon  button for 3 second – to turn on or off the thermostat.
- Press the icon **Up** or **Down** button – enter to setting temperature mode
- If the floor temperature is lower than the setting temperature, the heating is turn on and display .
- If the floor temperature is higher than the setting temperature, the

heating is turn off and  icon disappear.

- If the floor temperature is lower than 0°C, the symbol **LO** is displayed.
- If the floor temperature is higher than 50°C, the symbol **HI** is displayed.
- If the floor temperature is display “- -”, check the sensor cable is disconnected or damaged.


Setting Temperature Mode

Display the setting temperature on the screen.

- Press the icon **Up** or **Down** button – to adjust the setting temperature. (default: 25°C)
- If no pressed any key for 10sec, then auto return to normal display.

Adjustable Overheat Protection

To adjust maximum setting temperature to prevent the overheating occur.

- Press the **Up** or **Down** button on normal display enter to setting temperature mode first.
- Press the **Up** and **Down** button both for 3 second, then enter to adjustable overheat mode, flashing the icon .
- Press the icon **Up** or **Down** button – to adjust the maximum setting temperature (25 - 40°C). (default: 40°C)
- If no pressed any key for 10sec, then auto return to setting temperature mode.

Specification

Temperature Measurement:	0 - 50°C
Temperature Controllable Range:	5 - 40°C
Resolution:	0.5 °C
Operation Voltage:	230Vac +/-15%
	50/60Hz
Output Rating:	16A max
Sense Type:	NTC 10K
Operating Temperature:	0 - 50°C
Storage Temperature:	-10 - 55°C
Classification of control:	Class II
(Micro-disconnection on operation)	
Electronic control:	Type 2.B
Protection:	IP 21
Sensor cable:	3m
Terminal:	1-4mm² flexible conductor wire